

Model: **DI031-403H⁺**
DI031-063H⁺
DI031-463H⁺⁺

Roof Mount Centrifugal Fan

Horizontal Discharge

General Information:

Applications: General Ventilation

Suitable for roof installation up to 15° from horizontal

Galvanised steel base

UV stabilised fibreglass cowl
- colour Colorbond "Dune"

High efficiency backward curved impeller directly driven by IP44 external rotor motor

Removable lifting lugs for ease of installation

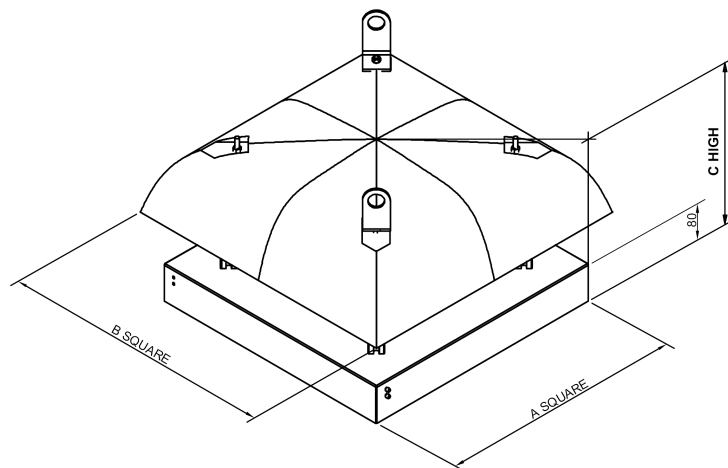
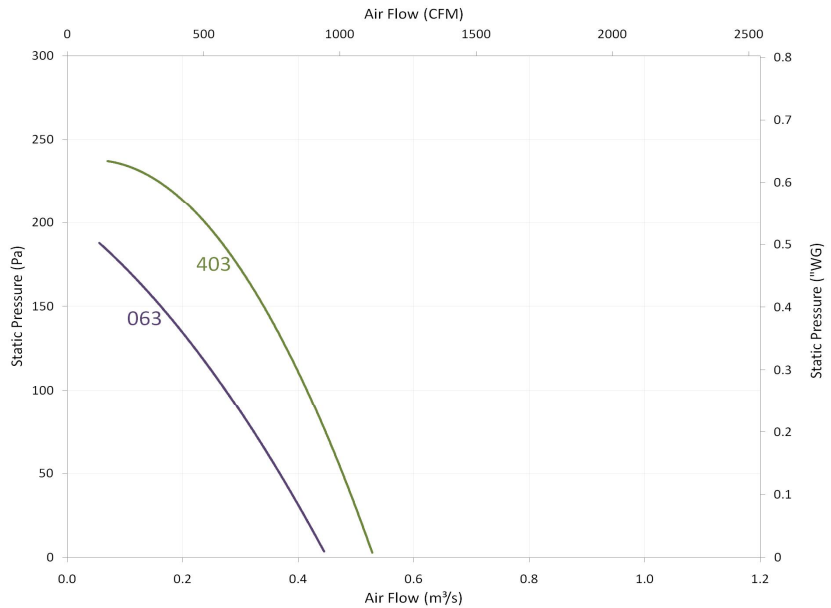
Model Specification:

Model	403 / 063
Power / Current	0.13 / 0.09 kW 0.26 / 0.15 A
Speed	1330 / 1030 rpm
Power Supply	415V Three phase 50 Hz
dBA@3m	45 / 39
Mass / Weight	20 kg

+ Refer to wiring diagram WD3-01 for different speed settings, available on www.aerovent.com.au/downloads

++ dual-speed fan operates with a dual-speed switch (available as optional accessory)

* Performance standard ISO 5801



			Recommended upstand dimensions (supplied by others)		
A	B	C	Max. outside	Min. inside	Min. height
540	600	555	530	430	90

