

Model: **DI050-403H⁺**
DI050-063H⁺
DI050-463H⁺⁺

Roof Roof Mount Centrifugal Fan

Horizontal Discharge

General Information:

Applications: General Ventilation

Suitable for roof installation up to 15° from horizontal

Galvanised steel base

UV stabilised fibreglass cowl
- colour Colorbond "Dune"

High efficiency backward curved impeller directly driven by IP54 external rotor motor

Removable lifting lugs for ease of installation

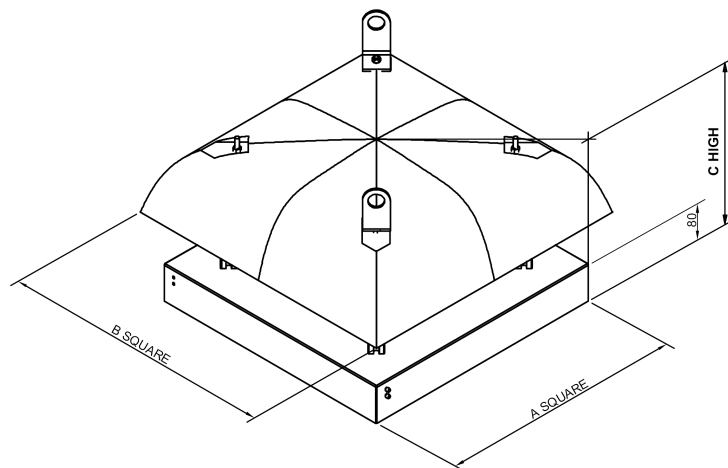
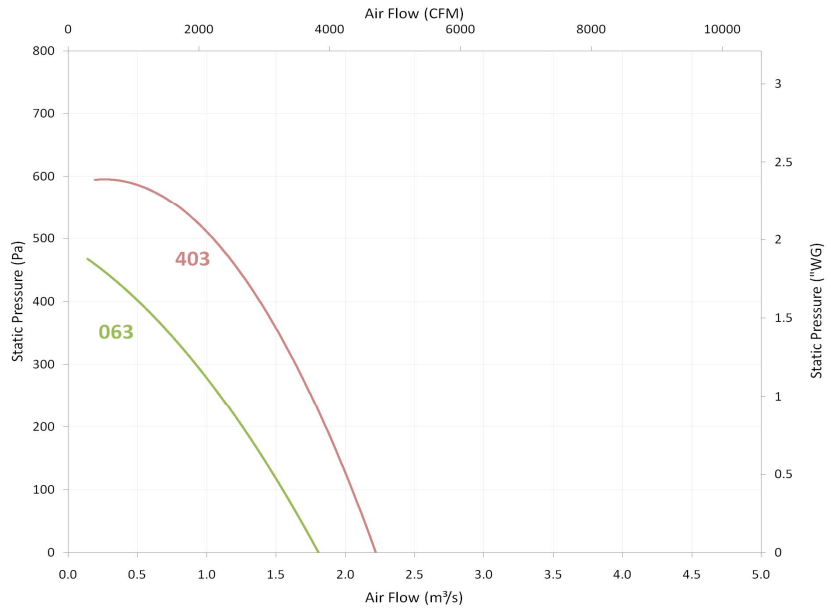
Model Specification:

Model	403 / 063
Power / Current	1.15 / 0.78 kW 2.10 / 1.30 A
Speed	1302 / 1070 rpm
Power Supply	415V Three phase 50 Hz
dBA@3m	58 / 53
Mass / Weight	50 kg

+ Refer to wiring diagram WD3-01 for different speed settings, available on www.aerovent.com.au/downloads

++ dual-speed fan operates with a dual-speed switch (available as optional accessory)

* Performance standard ISO 5801



			Recommended upstand dimensions (supplied by others)		
A	B	C	Max. outside	Min. inside	Min. height
805	820	865	795	695	90

Series **DIAMOND**

www.aerovent.com.au



Due to Aerovent Australia's constant product improvement and development program, product details may change without prior notice.