

Model: **DI050-603H<sup>+</sup>**  
**DI050-083H<sup>+</sup>**  
**DI050-683H<sup>++</sup>**

**Roof Mount Centrifugal Fan**

**Horizontal Discharge**

*General Information:*

Applications: General Ventilation

Suitable for roof installation up to 15° from horizontal

Galvanised steel base

UV stabilised fibreglass cowl  
- colour Colorbond "Dune"

High efficiency backward curved impeller directly driven by IP54 external rotor motor

Removable lifting lugs for ease of installation

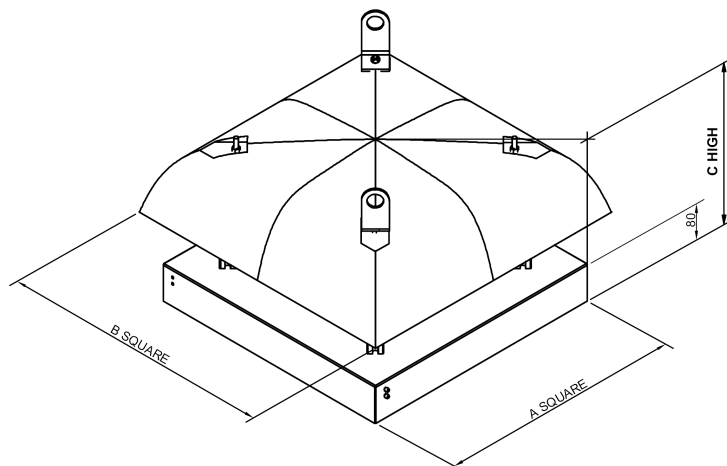
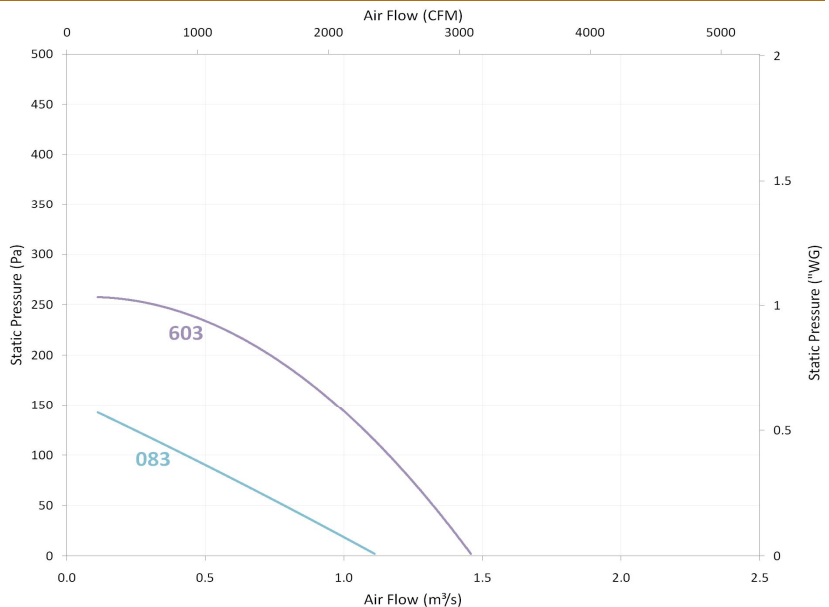
*Model Specification:*

Model	<b>603 / 083</b>
Power / Current	<b>0.40 / 0.22 kW</b> <b>0.89 / 0.47 A</b>
Speed	<b>870 / 570 rpm</b>
Power Supply	415V Three phase 50 Hz
dBA@3m	<b>48 / 38</b>
Mass / Weight	50 kg

+ Refer to wiring diagram WD3-01 for different speed settings, available on [www.aerovent.com.au/downloads](http://www.aerovent.com.au/downloads)

++ dual-speed fan operates with a dual-speed switch (available as optional accessory)

\* Performance standard ISO 5801



			Recommended upstand dimensions (supplied by others)		
A	B	C	Max. outside	Min. inside	Min. height
805	820	865	795	695	90

