

Model: **DI056-403H<sup>+</sup>**  
**DI056-063H<sup>+</sup>**  
**DI056-463H<sup>++</sup>**

**Roof Mount Centrifugal Fan**

**Horizontal Discharge**

*General Information:*

Applications: General Ventilation

Suitable for roof installation up to 15° from horizontal

Galvanised steel base

UV stabilised fibreglass cowl  
- colour Colorbond "Dune"

High efficiency backward curved impeller directly driven by IP54 external rotor motor

Removable lifting lugs for ease of installation

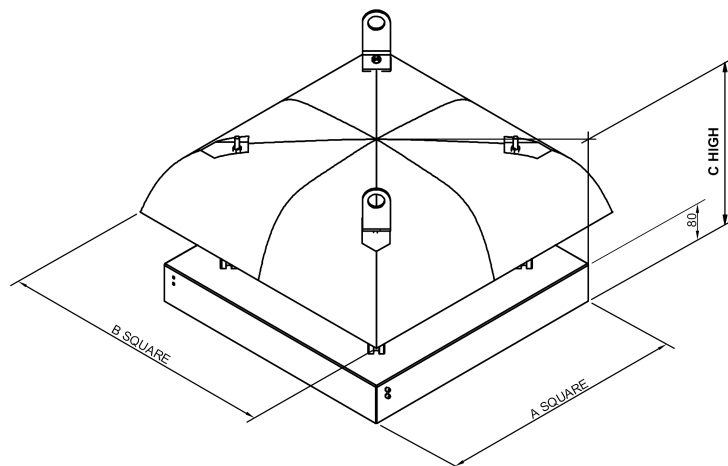
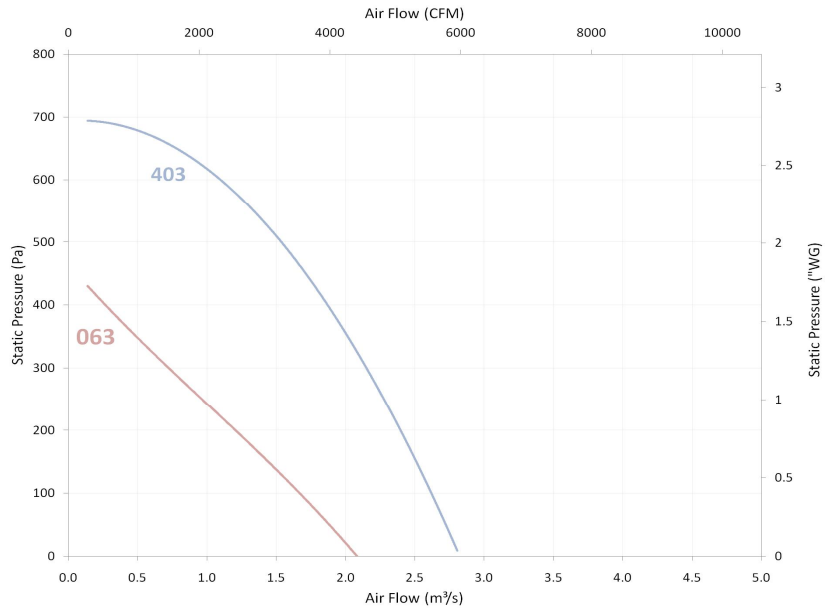
*Model Specification:*

Model	<b>403 / 063</b>
Power / Current	<b>1.8 / 0.96 kW</b> <b>3.4 / 1.80 A</b>
Speed	<b>1230 / 860 rpm</b>
Power Supply	415V Three phase 50 Hz
dBA@3m	<b>57 / 48</b>
Mass / Weight	57 kg

+ Refer to wiring diagram WD3-01 for different speed settings, available on [www.aerovent.com.au/downloads](http://www.aerovent.com.au/downloads)

++ dual-speed fan operates with a dual-speed switch (available as optional accessory)

\* Performance standard ISO 5801



			Recommended upstand dimensions (supplied by others)		
A	B	C	Max. outside	Min. inside	Min. height
805	820	865	795	695	90

*Series* **DIAMOND**

[www.aerovent.com.au](http://www.aerovent.com.au)



Due to Aerovent Australia's constant product improvement and development program, product details may change without prior notice.