

**Amethyst Series: Plate Mounted Axial  
Model: AM050-403**



**Common Applications**  
Suitable for wall or panel mounted applications, the Amethyst Series incorporate a finger guard on the fan inlet standard.

**Electrical**  
Available in 240V single-phase and 415V three-phase. Motors are speed controllable, three-phase motors are 2-speed star/delta type.

**Materials**  
High efficiency fixed pitch axial impeller with external rotor motor.  
Galvanised steel fan casing with powder coat finish on some sizes as standard.

**Protection**  
IP44 external rotor motor with integral thermal protection.

**Warning**  
Warranty may be void if wiring and installation guidelines are not followed.

Refer to wiring diagram WD3-01 available at [www.aerovent.com.au/downloads](http://www.aerovent.com.au/downloads)  
Performance Standard ISO 5801

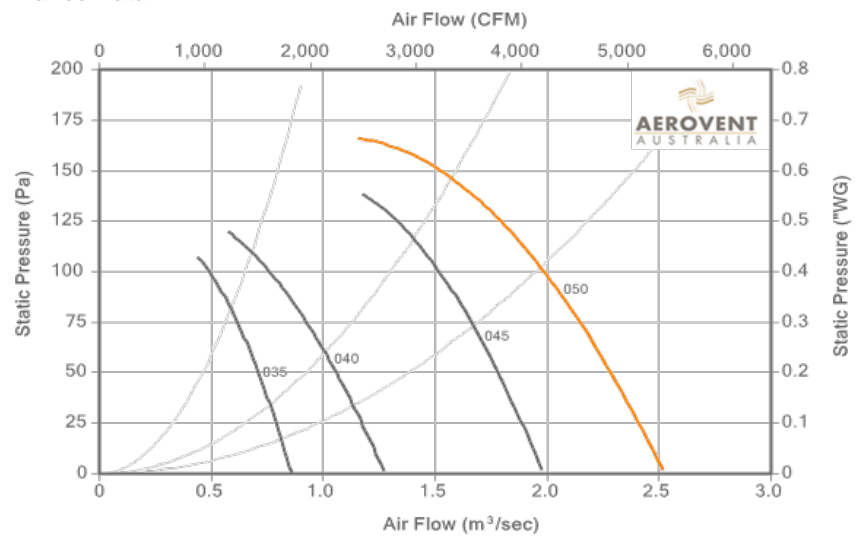
**Aerovent Australia Pty. Ltd.**

**Head Office - Victoria**  
31 Hosie Street  
Bayswater, Victoria 3153  
Phone: +61 (0)3 9720 8088  
Fax: +61 (0)3 9720 7133  
Email: [sales@aerovent.com.au](mailto:sales@aerovent.com.au)

Project:

Fan Ref:

**Performance Data**



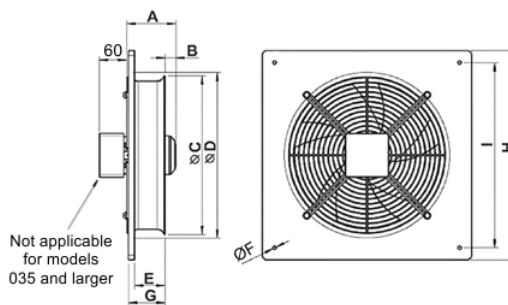
**Model Specifications**

Power, kW	Current, Amps	Speed, RPM	Power Supply	dB(A) @ 3m	Mass, kg
0.79	1.45	1330	415V / 3Ph / 50Hz	55	27

**Sound Power Level (dB re10-12 W) at Octave Band Mid-Frequency (Hz)**

63	125	250	500	1k	2k	4k	8k
68	76	70	70	71	71	65	59

**Dimensions, mm**



A	B	C
145	41	504
D	E	F
615	104	11
G	H	I
120	665	615

Due to Aerovent Australia's constant product improvement and development program, product details may change without prior notice. Copyright © 2019 Aerovent Australia. All rights reserved.