

*Model:* **AMP 050-2**

**Pre-engineered, flame proof, direct drive axial flow fans**

Performance:

Flow rate range - 0.3m<sup>3</sup>/s to 2.9 m<sup>3</sup>/s  
 Static pressures up to 150 Pa  
 Electric motors 0.55W 240V single phase Ex'd'  
 Anti-static impeller blades

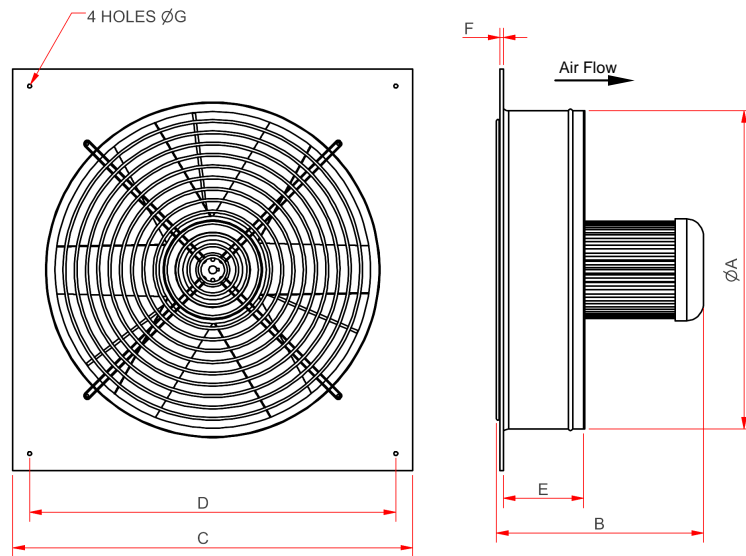
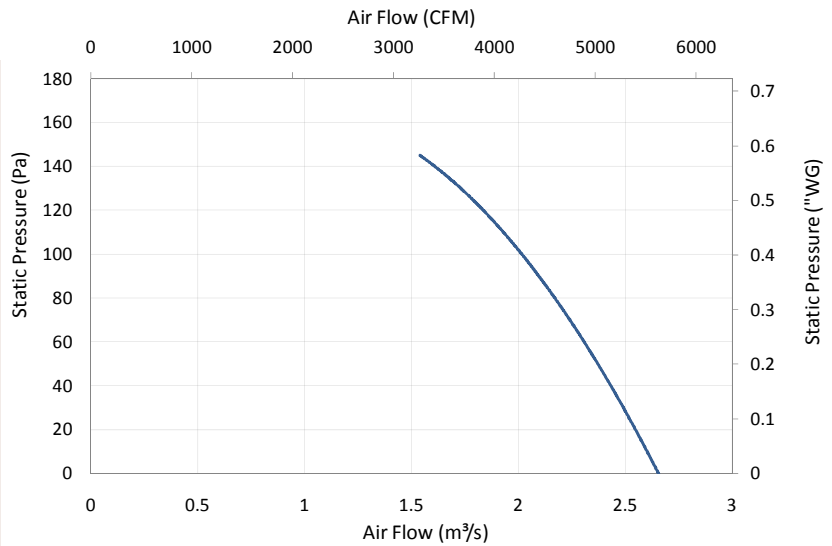
Common Applications:

Battery Room Exhaust  
 Spray booth

The AMP Series is plate mount to suit wall installation.

Ancillary items such as weather cowl or wire guard can be fitted directly to tailor for a specific application.

Power / Current	0.55 kW / 3.7 A
Speed	1420 rpm
Power Supply	240V Single phase 50 Hz
dBA@3m	60



+ Refer to wiring diagram WD1-11 for different speed settings, available on [www.aerovent.com.au/downloads](http://www.aerovent.com.au/downloads)

\* Performance standard ANSI / AMCA 210-99

\*\* Electric motor is certified for Group I & IIB, Hazardous Zone 1 Ex'd' area.

A	B	C	D	E	F	G
504	395	655	615	120	16	11

