

Model: **AMV 050-1**

Pre-engineered, flame proof, roof mount axial flow fans

Performance:

Flow rate range - 0.3m³/s to 3.5m³/s
Static pressures up to 185 Pa
Electric motors 0.75W 240V single phase Ex'd'
Anti-static impeller blades

Common Applications:

Battery Room Exhaust
Spray booth

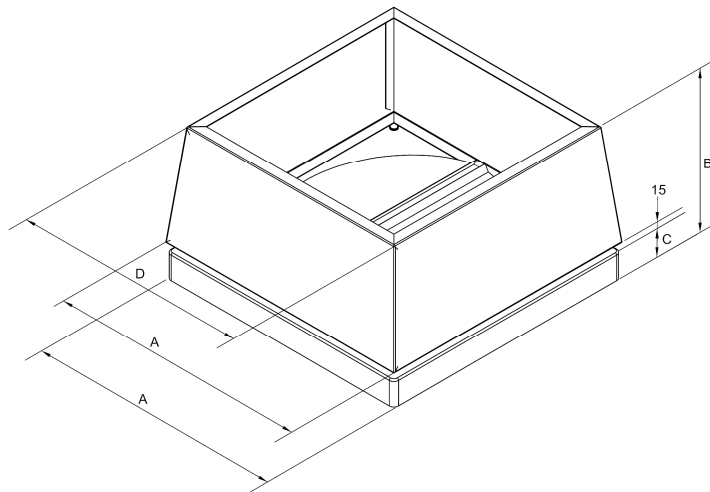
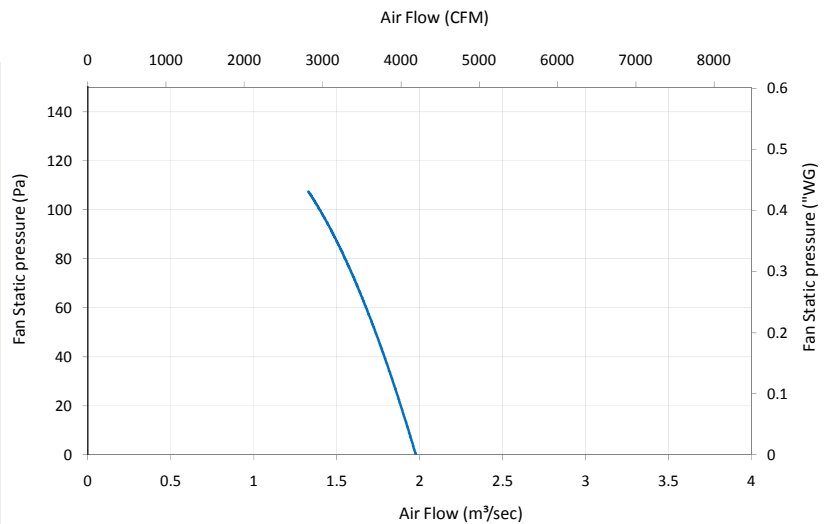
Suitable for roof installation up to 15° from horizontal

Galvanised steel base

Low loss weather shutter

Powder coated steel weather cowl - "ColorBond Dune"

Power / Current	0.75 kW / 5.0 A
Speed	1440 rpm
Power Supply	240V Single phase 50 Hz
dBA@3m	58



+ Refer to wiring diagram WD1-10 for different speed settings, available on www.aerovent.com.au/downloads

* Performance standard ANSI / AMCA 210-99

** Electric motor is certified for Group I & IIB, Hazardous Zone 1 Ex'd' area.

				Recommended upstand dimensions (supplied by others)		
A	B	C	D	Max. outside	Min. inside	Min. height
655	447	80	575	645	545	90

Series **AMBER**

www.aerovent.com.au



Due to Aerovent Australia's constant product improvement and development program, product details may change without prior notice.