

*Model:* **AMV 056-1**

**Pre-engineered, flame proof, roof mount axial flow fans**

Performance:

Flow rate range - 0.3m<sup>3</sup>/s to 3.5m<sup>3</sup>/s  
Static pressures up to 185 Pa  
Electric motors 0.75W 240V single phase Ex'd'  
Anti-static impeller blades

Common Applications:

Battery Room Exhaust  
Spray booth

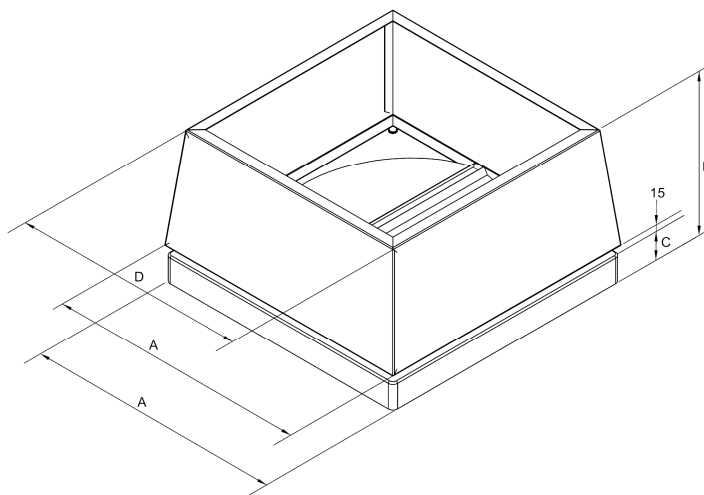
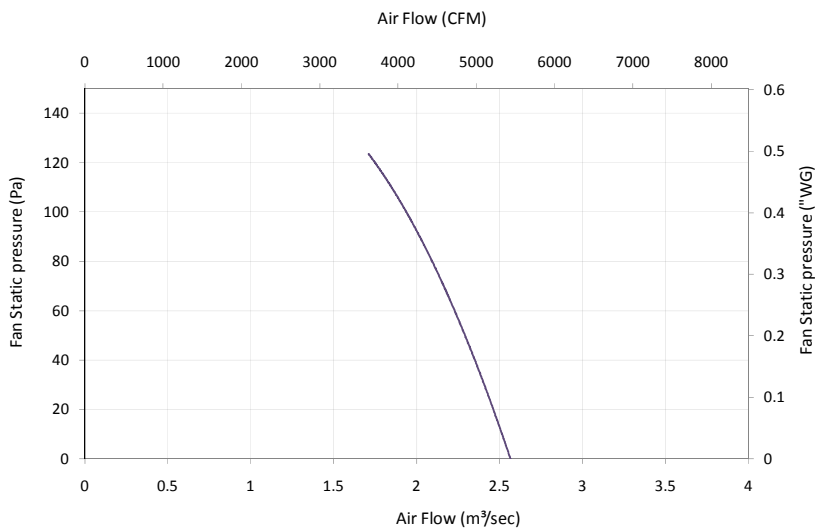
Suitable for roof installation up to 15° from horizontal

Galvanised steel base

Low loss weather shutter

Powder coated steel weather cowl - "ColorBond Dune"

Power / Current	0.75 kW / 5.0 A
Speed	1440 rpm
Power Supply	240V Single phase 50 Hz
dBA@3m	60



+ Refer to wiring diagram WD1-10 for different speed settings, available on [www.aerovent.com.au/downloads](http://www.aerovent.com.au/downloads)

\* Performance standard ANSI / AMCA 210-99

\*\* Electric motor is certified for Group I & IIB, Hazardous Zone 1 Ex'd' area.

				Recommended upstand dimensions (supplied by others)		
A	B	C	D	Max. outside	Min. inside	Min. height
725	447	80	655	715	615	90

*Series* **AMBER**

[www.aerovent.com.au](http://www.aerovent.com.au)



Due to Aerovent Australia's constant product improvement and development program, product details may change without prior notice.