

*Model:* **AMV 063-1**

**Pre-engineered, flame proof, roof mount axial flow fans**

**Performance:**

Flow rate range - 0.3m<sup>3</sup>/s to 3.5m<sup>3</sup>/s  
 Static pressures up to 185 Pa  
 Electric motors 0.75W 240V single phase Ex'd'  
 Anti-static impeller blades

**Common Applications:**

Battery Room Exhaust  
 Spray booth

Suitable for roof installation up to 15° from horizontal

Galvanised steel base

Low loss weather shutter

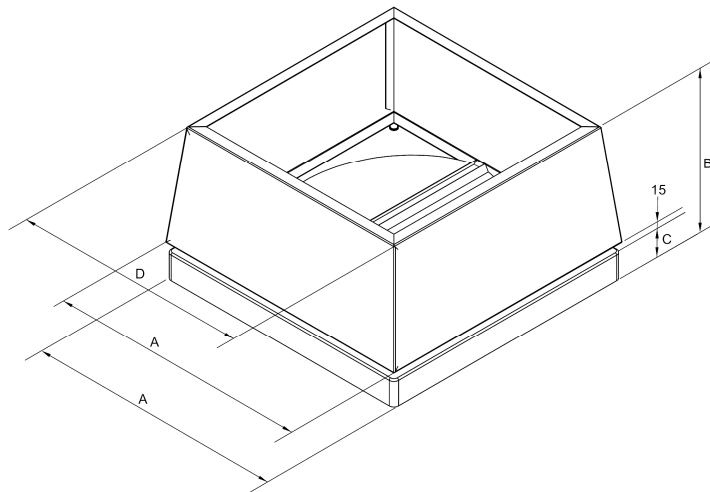
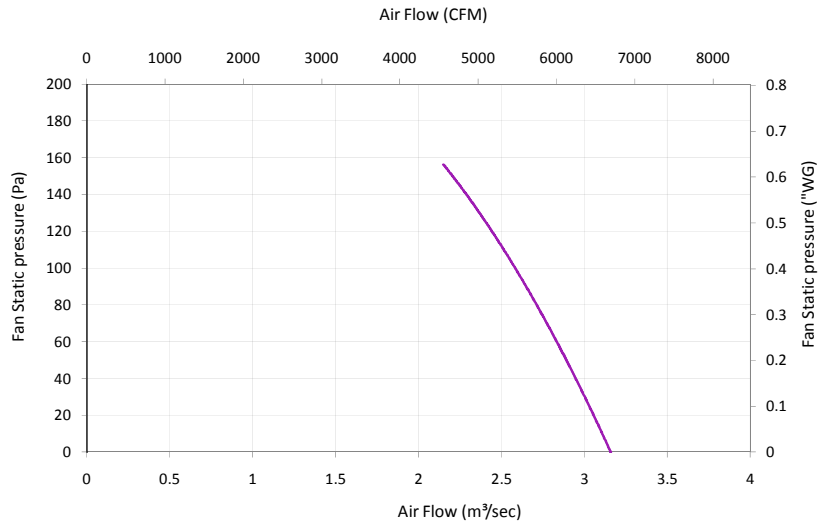
Powder coated steel weather cowl - "ColorBond Dune"

Power / Current	0.75 kW / 5.0 A
Speed	1440 rpm
Power Supply	240V Single phase 50 Hz
dBA@3m	63

+ Refer to wiring diagram WD1-10 for different speed settings, available on [www.aerovent.com.au/downloads](http://www.aerovent.com.au/downloads)

\* Performance standard ANSI / AMCA 210-99

\*\* Electric motor is certified for Group I & IIB, Hazardous Zone 1 Ex'd' area.



				Recommended upstand dimensions (supplied by others)		
A	B	C	D	Max. outside	Min. inside	Min. height
805	516	80	725	795	695	90

