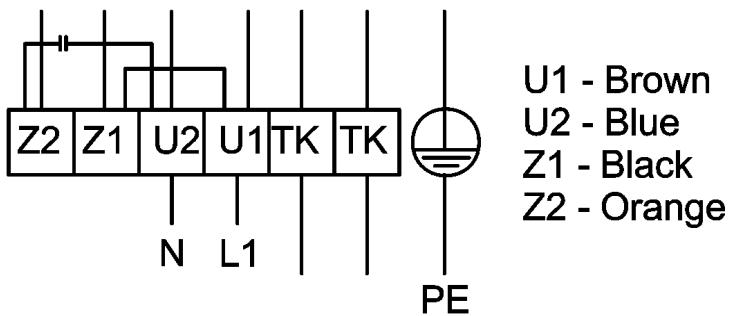


## Wiring Diagram — WD1-01

**For External Rotor Motor Type**

**Single phase motor with capacitor and thermal contacts**



**Note: TK/TB (when fitted) MUST be wired from the motor to a control device.**

**Ref. AS/NZS 300, 4.13.3.3 (b), (c).**