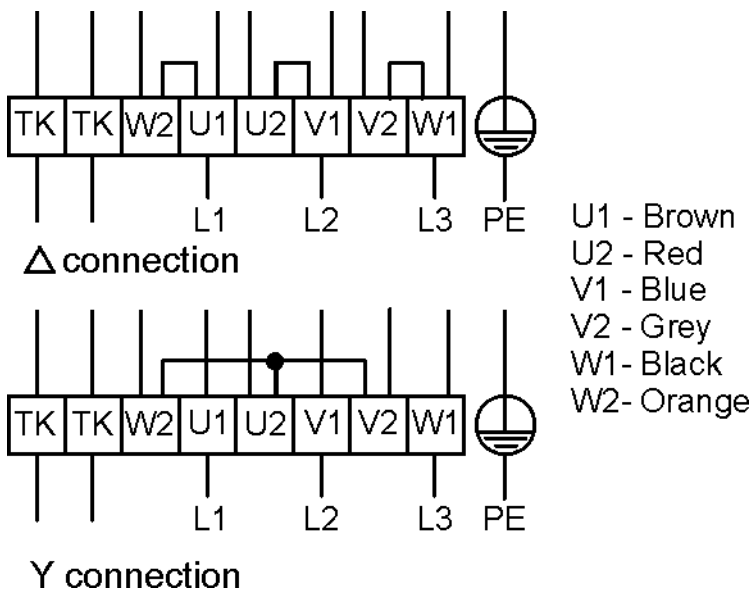


Wiring Diagram — WD3-01

For External Rotor Motor Type

Three phase motor with 2 speeds and thermal contact

Speed changing by Δ (high speed) / Y (low speed) switching. Changing of rotation by interchanging of 2 phases. If MS22-step switching units are used do not insert bridge in switching unit.



Note: TK/TB (when fitted) MUST be wired from the motor to a control device.

Ref. AS/NZS 300, 4.13.3.3 (b), (c).