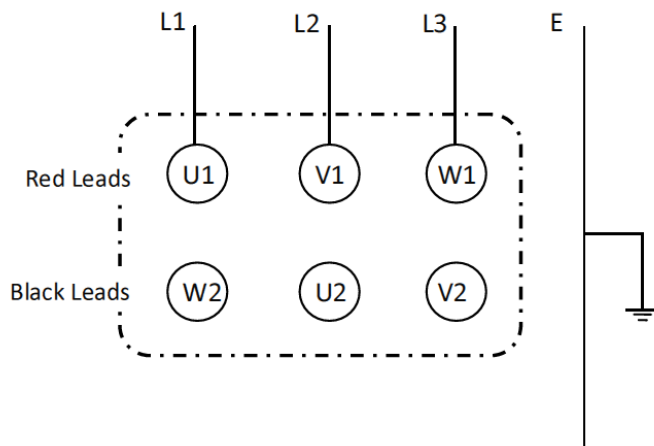


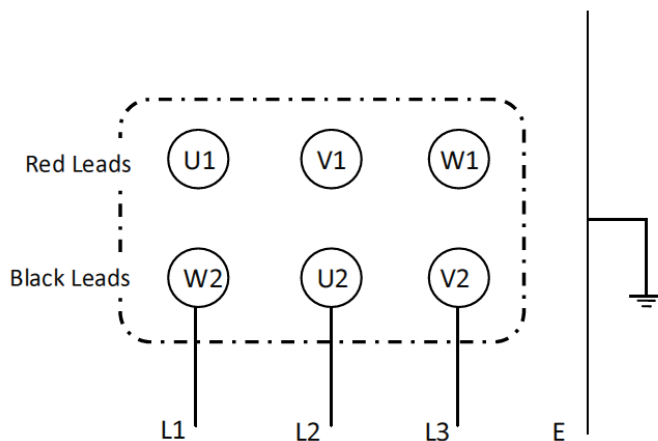
Wiring Diagram — WD3-03

THREE PHASE TWO SPEED MOTORS / DUAL WOUND MOTORS (with 2 separate windings)

Low Speed



High Speed



For low speed, incoming power is fed to the three red leads and the black leads are open.

For high speed, incoming power is fed to the three black leads and the red leads are open.

Incorrect connection will cause the motor to burn out and warranty will be void