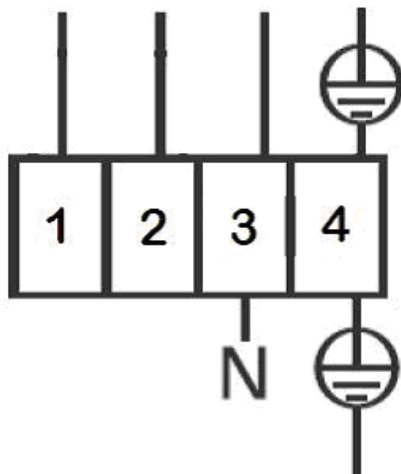


Wiring Diagram — WD1-06

For External Rotor Motor Type

Single phase two speed motor with internal capacitor



Incoming 240V active connects to terminals 1 or 2 depending on speed required.

1 = Low Speed

2 = High speed

Note: When changing speeds, switch must break the circuit completely between speeds