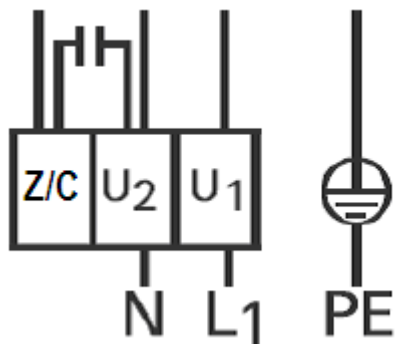


Wiring Diagram — WD1-13

For External Rotor Motor Type

Single phase motor with capacitor and internal thermal contacts



U₁ = Blue

U₂ = Black

Z/C = Brown

PE = Green/Yellow

Note: Internal thermal overload protection contacts will reset and fan will re-start when temperature reduces after overload.